

CMSC 201 Spring 2017

Pre Lab 13 – Dictionaries

Assignment: Pre Lab 13 – Dictionaries

Due Date: **Pre Lab quiz** is due Monday, May 8th by 8:59:59 [AM](#)

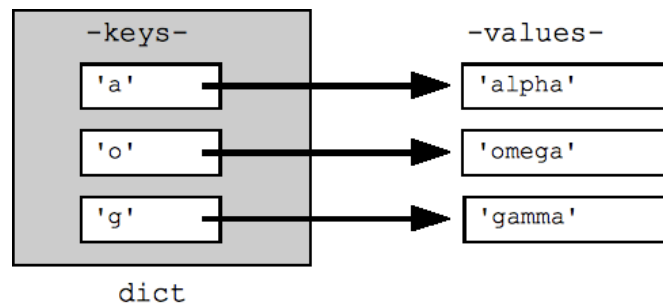
Value: 10 points (8 points during lab, 2 points for Pre Lab quiz)

This week's lab will give you practice with using dictionaries.

(Having concepts explained in a new and different way can often lead to a better understanding, so make sure to pay attention as your TA explains.)

Part 1A: Review – Dictionaries

A very useful data type built into Python is the **dictionary**. Dictionaries are sometimes found in other languages as “associative memories” or “associative arrays.” Dictionaries are data structures that map a key to a value. So, in the example below, we have a dictionary that maps the key ‘a’ to the value ‘alpha’; the key ‘o’ to the value ‘omega’; and the key ‘g’ to the value ‘gamma’.



(Image from <https://developers.google.com/edu/python/dict-files>)

We can create this dictionary with this line of code:

```
greek = {'a': 'alpha', 'o': 'omega', 'g': 'gamma'}
```

Dictionaries may look a lot like lists, but there are a few key differences:

1. A dictionary uses curly braces instead of square brackets
2. A dictionary is made up of (key, value) pairs
3. The key and value are separated by a colon (:)
4. The (key, value) pairs are separated by a comma (,)
5. The keys must be unique (just like the indexes of a list are unique)

Lists are indexed by **order**, which we see as a range of numbers. Dictionaries are indexed by **association**, or their key values. Keys can be any immutable type, and every key in a dictionary must be unique. Strings, floats, and integers are common choices for a key.

Part 1B: Review – Dictionary Functions

We can start by looking at how we could create a simple dictionary. Let's create a new dictionary called `animals`.

```
animals = {"Clifford" : "dog",      "Hedwig" : "owl",
          "George"   : "monkey",  "Kha"    : "snake",
          "Laika"    : "dog"}
```

In this dictionary, we have mapped famous animals, using their name as the key, and their species as the value. Since there may be multiple animals of the same species (e.g., Clifford and Laika are both dogs), it makes sense to use the unique value (the name) as the key.

Using a dictionary, we can perform a number of operations. The examples below use the `animals` dictionary defined above.

A. **Iterate** through the dictionary:

```
for name in animals:
    print(name, "is a famous", animals[name])
```

OUTPUT:

```
Laika is a famous dog
George is a famous monkey
Clifford is a famous dog
Kha is a famous snake
Hedwig is a famous owl
```

B. **Access** a specific entry:

```
print("Kha is the", animals["Kha"], \
      "from 'The Jungle Book'")
```

OUTPUT:

```
Kha is the snake from 'The Jungle Book'
```

C. **Safely access** a specific entry:

```
print("Kha is the", animals.get("Kha"), \
      "from 'The Jungle Book'")
# if there was no "Kha" key, this would simply
# print out None, rather than crashing
```

D. **Add** something to the dictionary:

```
animals["Punxsutawney Phil"] = "groundhog"
```

E. **Updating** the value of something in the dictionary:

```
animals["Hedwig"] = "snowy owl"
```

F. **Deleting** something from the dictionary:

```
# Laika was a Soviet space dog, the first
# animal to orbit the Earth. She did not
# survive more than a few hours in space. :(
del animals["Laika"]
```

G. **Checking if a key is present** in the dictionary:

```
"Laika" in animals
# this will return False, as Laika's no longer in
the dictionary
```

```
"Clifford" in animals
# this will return True
```

H. **Checking if a key is present** in the dictionary:

I. Dictionaries also have methods that enable some additional functionality. In addition to the commands and examples above, here are some of the more helpful methods we can use.

These both return a “view” by default, so we must cast them to a list to use them.

a. `list(animals.values())`

Returns a list of the values in dictionary `animals`

```
['groundhog', 'snowy owl', 'monkey', 'dog',
'snake']
```

b. `list(animals.keys())`

Returns a list of the keys in dictionary `animals`

```
['Punxsutawney Phil', 'Hedwig', 'George',
'Clifford', 'Kha']
```

Part 1C: **New Material** – Lists as Values

Although we didn't discuss it in class, it is possible to use lists as the value in a (key, value) pair, and to update the list as new items are entered that belong with that key. In order to do so, though, we must pay attention to and handle two different scenarios:

1. The key does not yet exist in the dictionary
 - a. We must create a new key and start the list from scratch
2. The key already exists in the dictionary
 - a. We must append to the existing list, without overwriting it

To accomplish these, the first thing to do is use the `.get()` function to access a key's value. The `.get()` function is safer than square brackets, because if the key does not exist it will return `None` (where square brackets would cause an error).

Once we've determined if the key already exists, we can either create the list from scratch, or append to the existing list, depending on the result. For example, code to accomplish that might look like the following.

```
# if the key doesn't already exist in the dictionary
if myDict.get(theKey) == None:
    myDict[theKey] = [newValue]
else:
    myDict[theKey].append(newValue)
```

And when we want to access something in the list of values, we'll need to first index into the dictionary (using the key) and then into the list (using regular indexes).

```
# print all the elements of a key's value list
valueList = myDict[knownKey]
for i in range(len(valueList)):
    print(valueList[i])
```